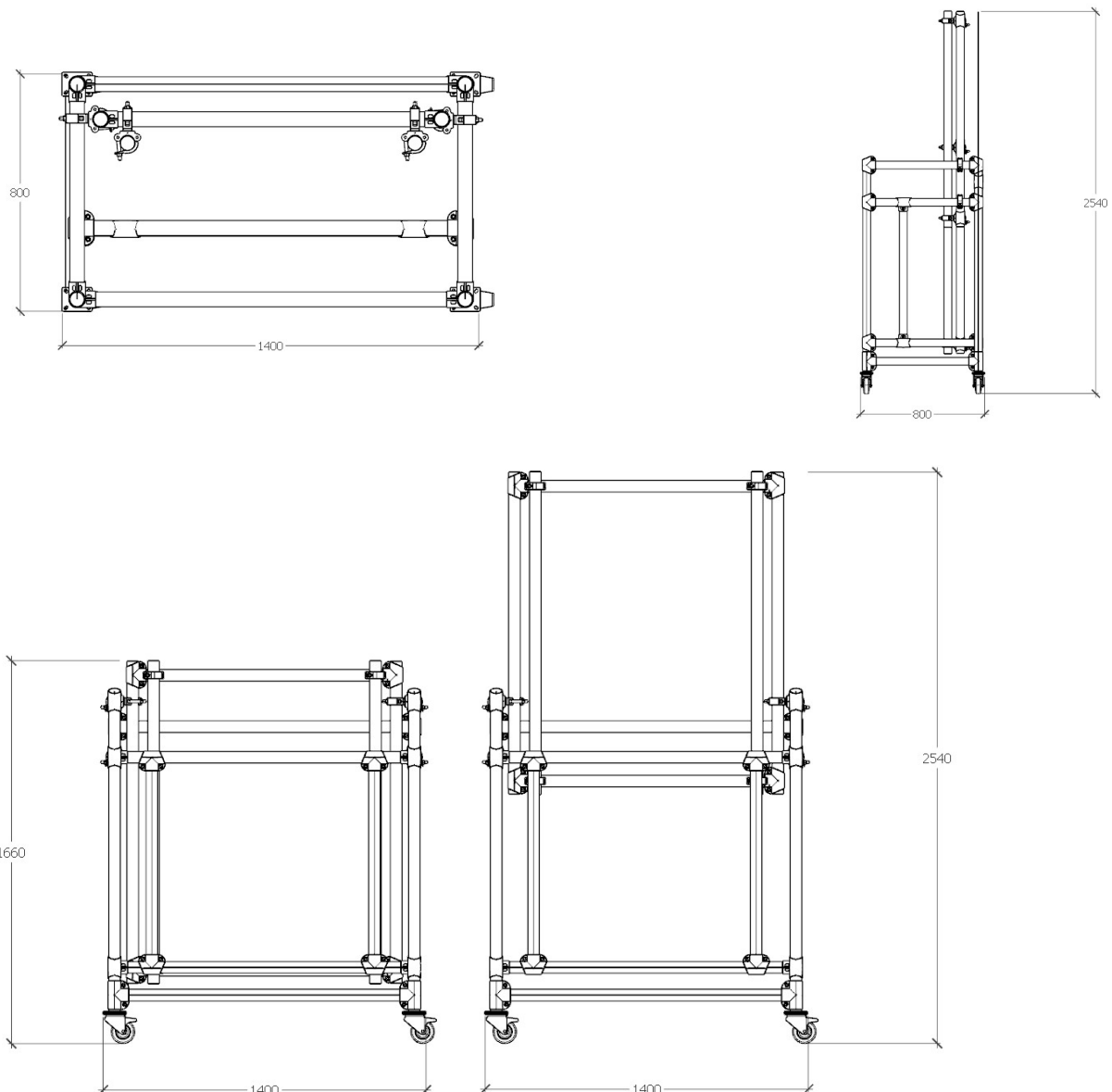


COLADIM 23 - LEDBAR TOWER - B2B TECH. DOCUMENT & BUSINESS PRICE

COLADIM 23 is an extensible structure designed for mounting 1-meter horizontal LED bars. The unique feature of this structure is its extensibility, which allows the tower to travel preassembled and prewired in a closed position, and then to be extended upwards and opened once it is placed in the venue.

- (W) 1400 x (H) 1660 x (P) 800 closed..
- (W) 1400 x (H) 2540 x (P) 800 opened.
- Preassembled in your warehouse, it comes out Ready to go
- In its closed configuration, it can easily pass through small spaces and narrow access doors.





RESOURCES FOR YOUR PROJECTS :

- Vectorworks Symbol
- DWG
- Sketchup
- C4D

OPTIONAL

- STAB 01 - Coupler set for stabilizing
<https://www.4096touring.com/product-details/stab-01-optional-support-for-dollies/>

